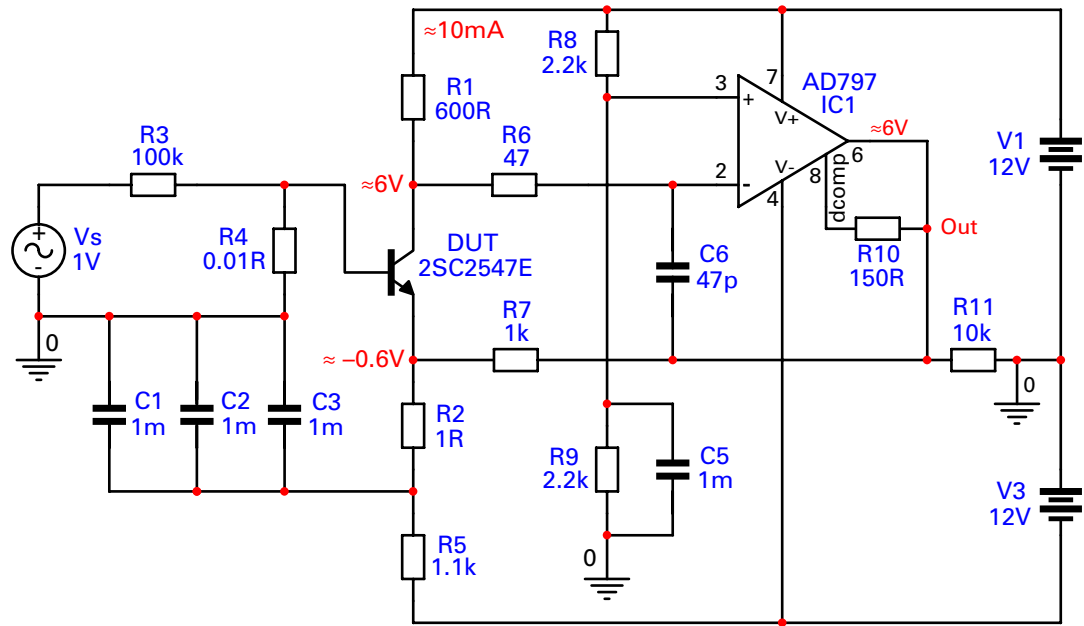
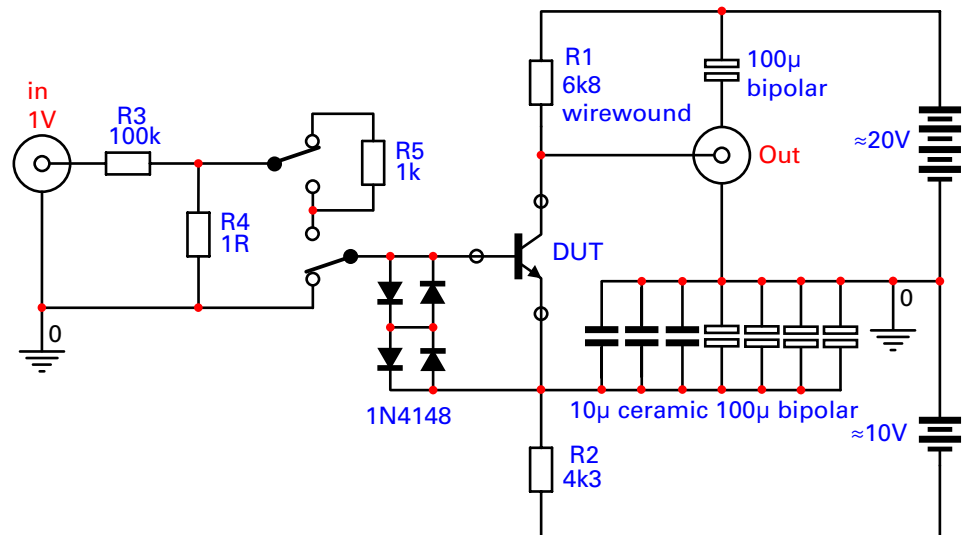


80mm



1984 [ d.c.~daylight ] MC amplifier used as Tr noise test jig

70mm



2019 [ keith-snook.info ] Common emitter Tr noise test jig