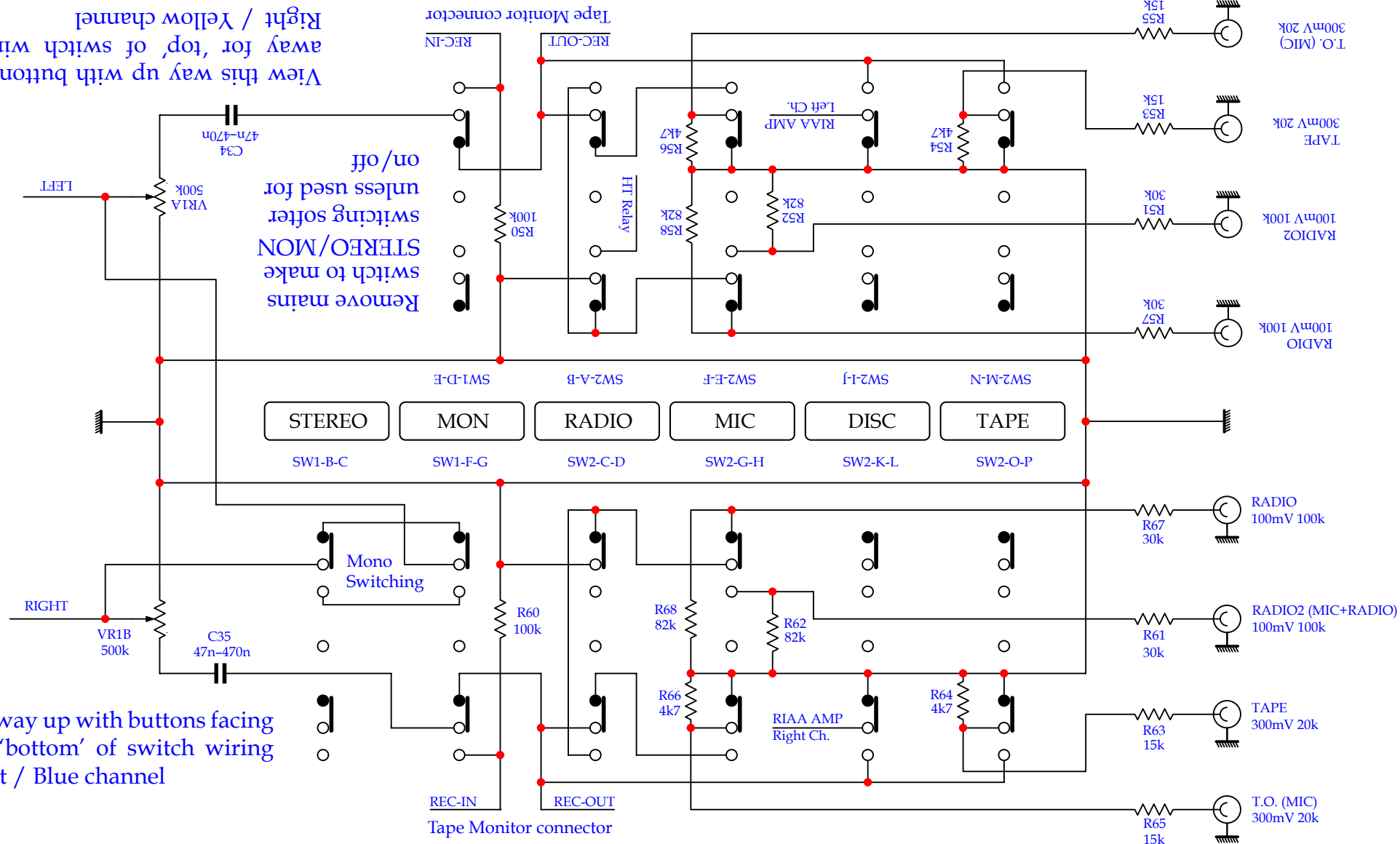


View this way up with buttons facing away for 'top' of switch wiring for Right / Yellow channel



Remove mains switch to make STEREO/MON switch used for on/off

Mono Switching

View this way up with buttons facing away for 'bottom' of switch wiring for the Left / Blue channel

Resistors in series with inputs are placed close to the input connectors and are for reducing the input sensitivities and allow unused inputs to be shorted to ground to reduce crosstalk ~ The MON switch is used as a Tape (Recording) Monitor and also as a mono switch with STEREO & MON both out or both in together