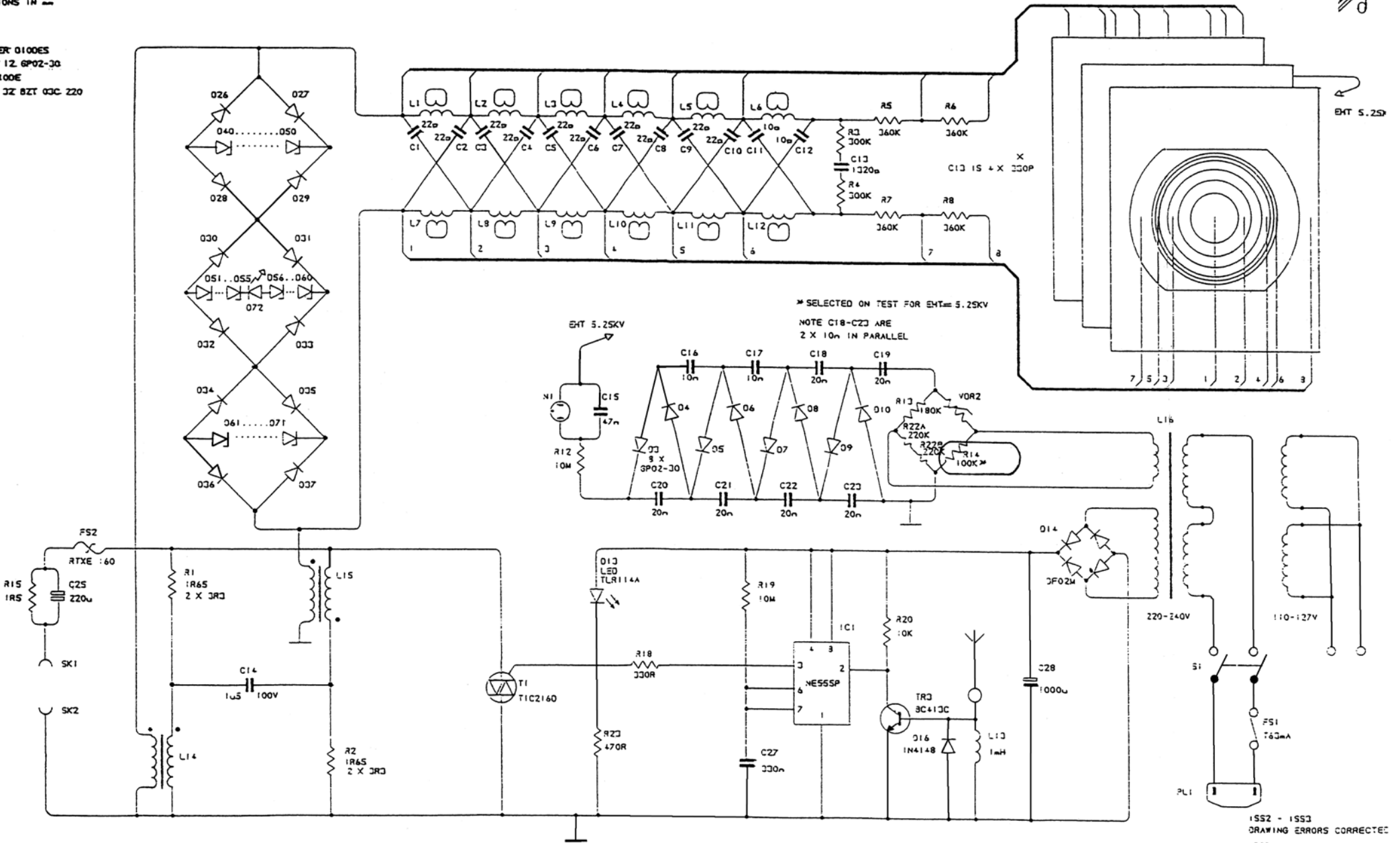


DIMENSIONS IN mm

RECTIFIER 0100ES
026-037 12 6P02-30
ZENER 0100E
040-071 JZ 8ZT 03C 220



1552 - 1553
DRAWING ERRORS CORRECTED
1553 - 1554
C.N. 252 23.3.93

SCALE	QUAD QUAD ELECTROACOUSTICS LTD HUNTINGDON ENGLAND	
DRAWN A.V.L.	63 CIRCUIT DIAGRAM	
CHECKED P.G.H.	2209-4 63	
APPROVED		
DATE 5-10-89		