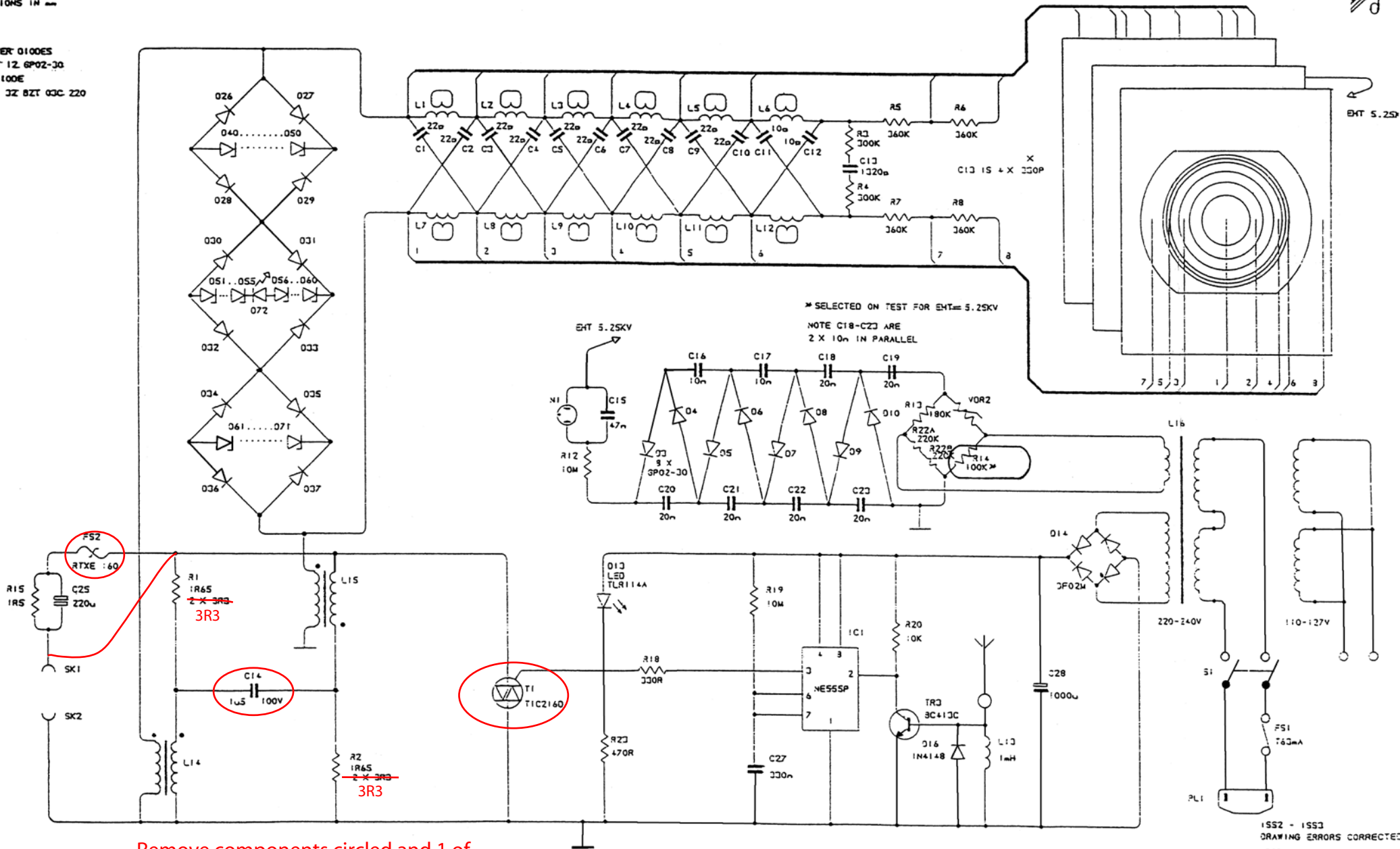


DIMENSIONS IN mm

RECTIFIER 0100ES  
026-037 12 6P02-30  
ZENER 0100E  
040-071 JZ 8ZT 03C 220



\* SELECTED ON TEST FOR EHT= 5.25KV  
NOTE C18-C23 ARE  
2 X 10n IN PARALLEL

Remove components circled and 1 of parallel 3R3 resistors from R1 and R2

ISS2 - ISS3  
DRAWING ERRORS CORRECTED  
ISS3 - ISS4  
C.N. 252 23.3.93

SCALE	QUAD QUAD ELECTROACOUSTICS LTD HUNTINGDON ENGLAND	
DRAWN A.V.L.	63 CIRCUIT DIAGRAM	
CHECKED P.G.H.	2209-4 63	
APPROVED		
DATE 5-10-89		