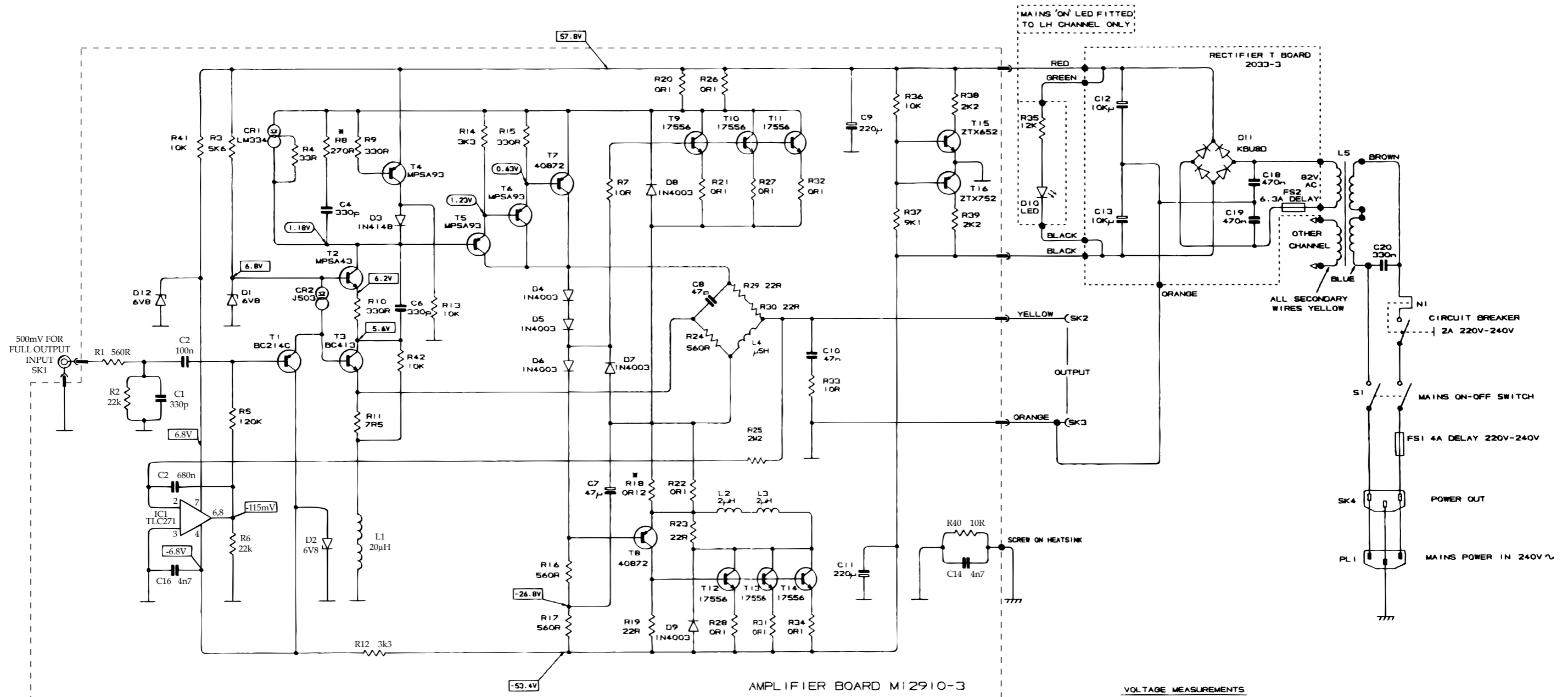


# QUAD 606 service data



⌘ VALUE SUBJECT TO CHANGE

### VOLTAGE MEASUREMENTS

ALL VOLTAGES ARE TYPICAL AND WERE TAKEN WITH A MAINS SUPPLY OF 240V USING A THURLBY 1504 DIGITAL METER, WITH NO INPUT SIGNAL

○ MEASURED USING -VE PROBE WITH RESPECT TO +VE RAIL

□ MEASURED USING +VE PROBE WITH RESPECT TO P.C.B. EAR\*H