

Components marked in green are changes or additions to the original n.f. = not fitted and Link = remove and wire across.

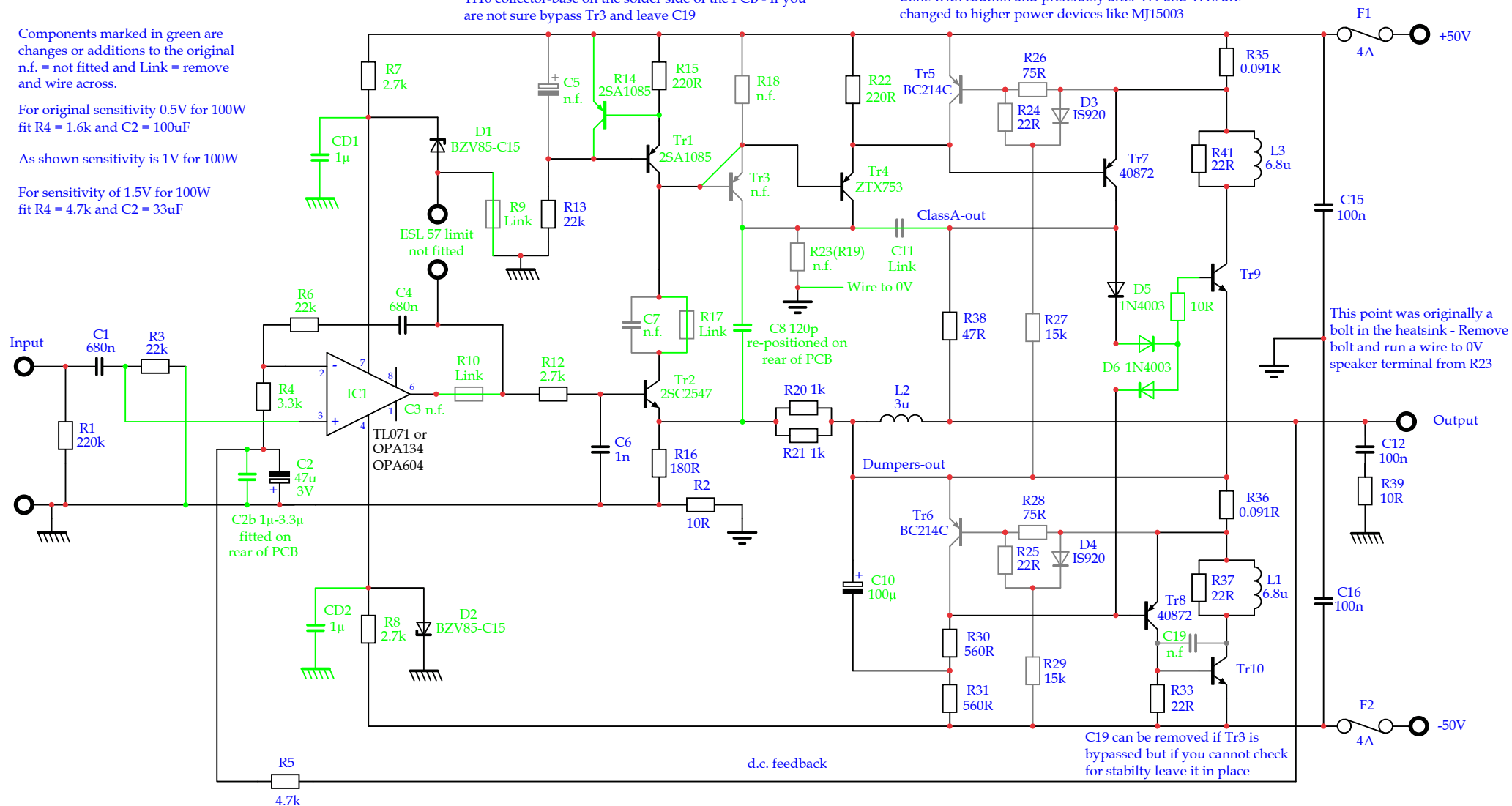
For original sensitivity 0.5V for 100W fit R4 = 1.6k and C2 = 100uF

As shown sensitivity is 1V for 100W

For sensitivity of 1.5V for 100W fit R4 = 4.7k and C2 = 33uF

Tr3 should be bypassed base-emitter as shown and it should then be possible to safely remove C19 fitted across Tr10 collector-base on the solder side of the PCB - If you are not sure bypass Tr3 and leave C19

Components marked in grey with blue reference designators may be removed to disable current limiting - This should be done with caution and preferably after Tr9 and Tr10 are changed to higher power devices like MJ15003



Note the 2 different ground symbols either side of R2 - probably to prevent internal hum loops - The input ground connects to the chassis at the input DIN socket and originally the other side of R2 connects to chassis via the bolt in the heatsink - Even if you do not provide a formal ground wire to the 0V speaker terminal as I show you should ensure that both sides of R2 are at the same potential - If one ground is missing the voltage at the speaker terminals will be about 20mV if both grounds are in place it should be less than 1mV - Both grounds should be connected to chassis

Revision: 3	<i>d.c. ~ daylight ltd.</i>	Page Size: A4	<i>d.c. ~ daylight ltd.</i>
<b>M12368 PCBs to DCD Mod-3</b>			5 Greenacre Drive Pontprennau Cardiff CF23 8PA
1 Sept 2008	Drawn: K. Snook	Checked:	Tel: +44 29 20 657149 Fax: +44 29 20 657151
		Page 1 of 1	