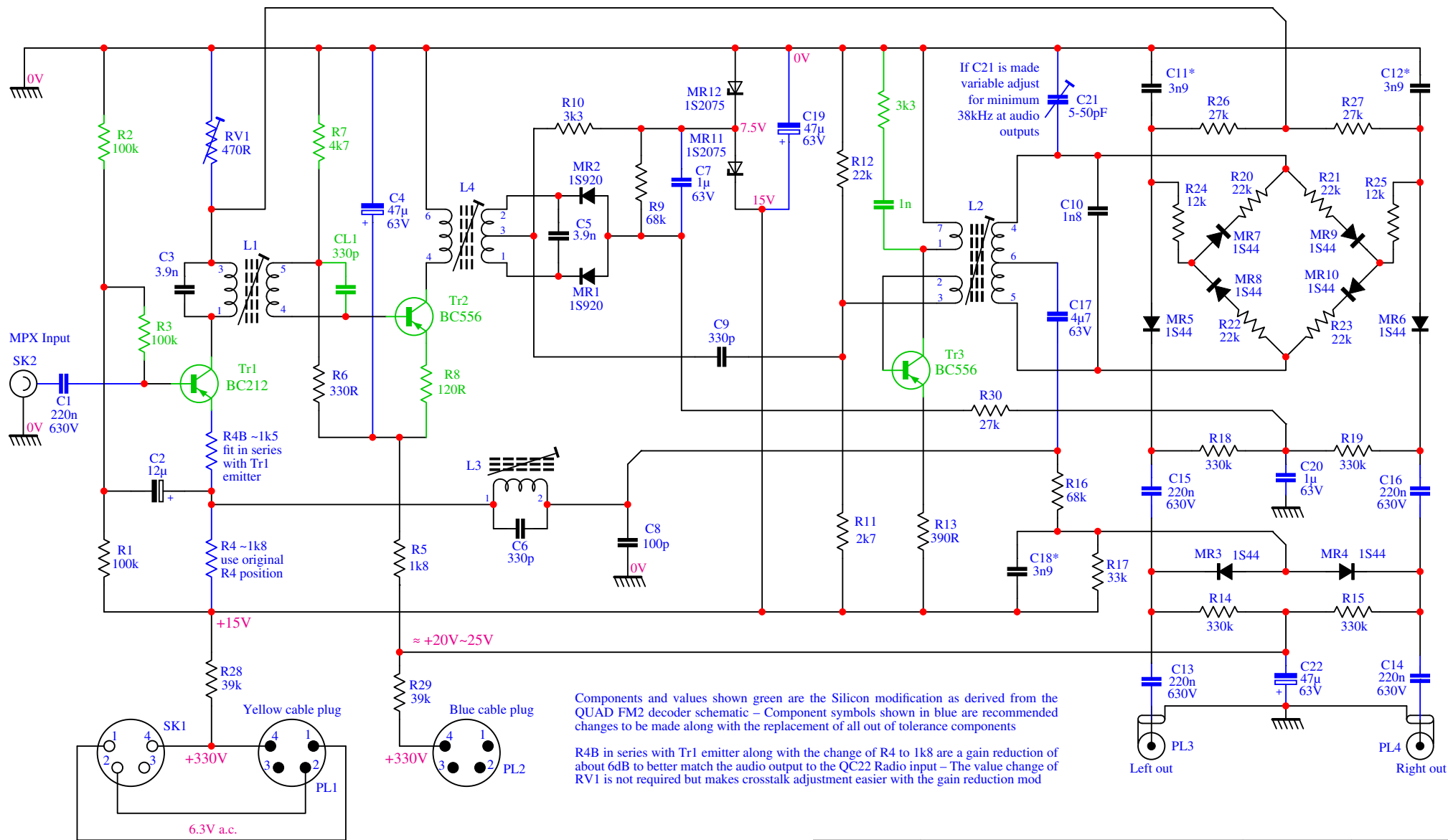


For stereo only listening (as most stations now stereo)  
 Yellow and Blue plugs can be swapped at QUAD 22  
 to reduce the load on the yellow channel power amp

|                         |                        |               |
|-------------------------|------------------------|---------------|
| Revision: 1             | keith@keith-snook.info | Page Size: A4 |
| <b>QUAD MPX Decoder</b> |                        |               |
| 24 June 2011            | Drawn: K. Snook        | Page 1 of 1   |

keith@snook.eu



Components and values shown green are the Silicon modification as derived from the QUAD FM2 decoder schematic – Component symbols shown in blue are recommended changes to be made along with the replacement of all out of tolerance components

R4B in series with Tr1 emitter along with the change of R4 to 1k8 are a gain reduction of about 6dB to better match the audio output to the QC22 Radio input – The value change of RV1 is not required but makes crosstalk adjustment easier with the gain reduction mod

|                                     |                        |               |
|-------------------------------------|------------------------|---------------|
| Revision: 2                         | keith@keith-snook.info | Page Size: A4 |
| <b>QUAD MPX Decoder Silicon Mod</b> |                        |               |
| 28 June 2011                        | Drawn: K. Snook        | Checked:      |
|                                     |                        | Page 1 of 1   |

keith@snook.eu